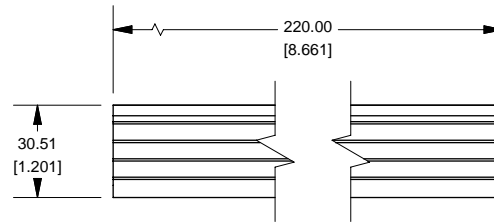
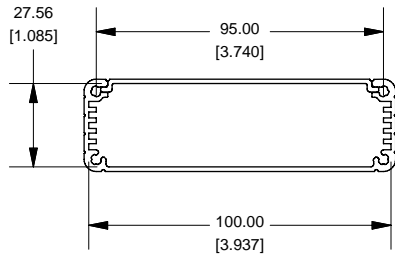
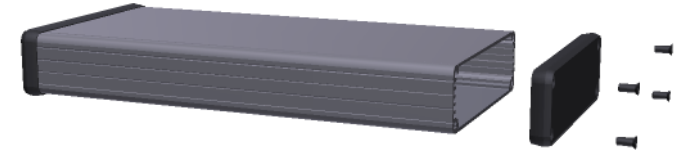
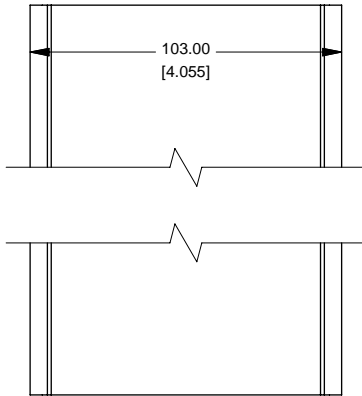
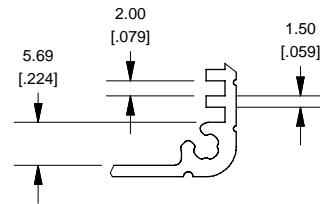


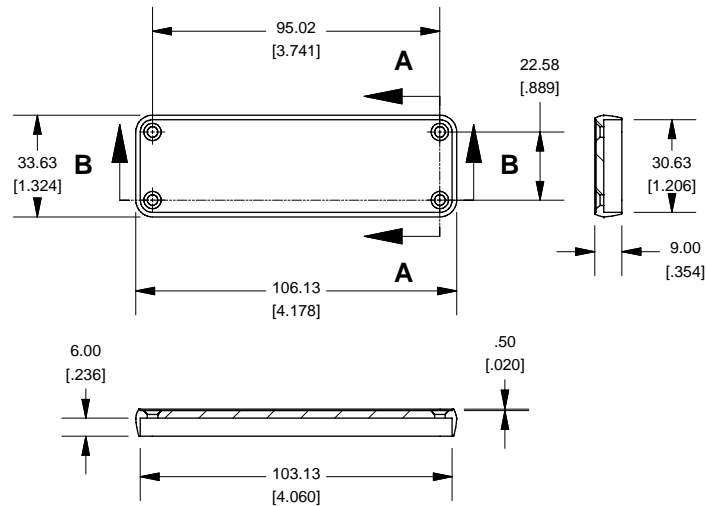
## Extrusion



## Slot Details



## Closed Bezel



Enclosures can be Factory Modified ( Milling, Drilling, Printing etc. )  
Solid models of this enclosure available in STEP or IGES.  
Contact Factory [mjm@hammondmfg.com](mailto:mjm@hammondmfg.com)

### NOTE

Purchased assembly includes box, plastic bezels, #6 Taptight screws and self adhesive rubber feet.  
Box made from Extruded Aluminum 6063.  
Bezels made with ABS.

### 1455L2202

#### PART NUMBERS

Clear Anodized	1455L2202
Black Anodized	1455L2202BK

#### ACCESSORIES

See website for accessories.

